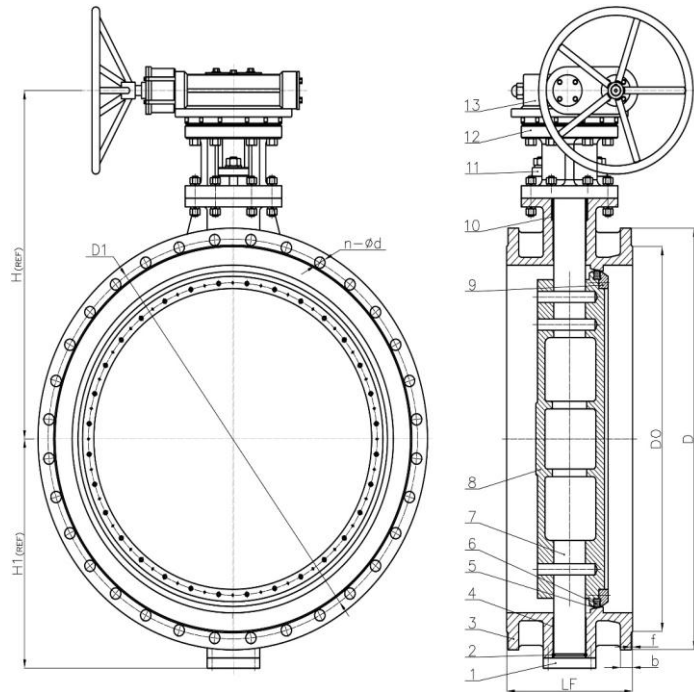
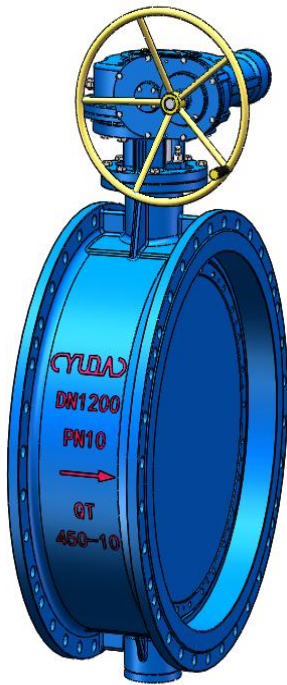




# D342X Flange double eccentric butterfly valve



### Remarks:

- 1.Design and manufacture as per BS EN593
- 2.Face to face dimensions as per BS EN558 Series 13/14
- 3.Flange dimensions as per BS EN1092-2
- 4.Pressure test as per BS EN12266-1

Pressure test		PN10	PN16
Shell	Water	15bar	24bar
	Air	11bar	17.6bar
Seal	Water	11bar	17.6bar
	Air	6bar	6bar

Media: Water, oil and gas

Temperature: -5~80°C

Dimension: mm

DN	PN	LF		D	D0	D1	n-ød	f	b	H #	H1 #
600	10	267	390	780	682	725	20-Ø31	5	30	660	425
	16			840	720	770	20-Ø37		36	695	425
700	10	292	430	895	794	840	24-Ø31		32.5	730	485
	16			910	794	840	24-Ø37		39.5	745	490
800	10	318	470	1015	901	950	24-Ø34		35	824	545
	16			1025	901	950	24-Ø41		43	836	575
900	10	330	510	1115	1001	1050	28-Ø34		37.5	900	610
	16			1125	1001	1050	28-Ø41		46.5	930	610
1000	10	410	550	1230	1112	1160	28-Ø37		40	1005	658
	16			1255	1112	1170	28-Ø44		50	1005	658
1200	10	470	630	1455	1328	1380	32-Ø41		45	1130	785
	16			1485	1328	1390	32-Ø50		57	1130	785
1400	10	530	710	1675	1530	1590	36-Ø44		46	1295	915
	16			1685	1530	1590	36-Ø50		60	1295	915
1500	10	600	760	1785	1640	1700	36-Ø44		47	1375	1015
	16			1820	1640	1710	36-Ø57		62.5	1375	1015
1600	10	600	790	1915	1750	1820	40-Ø50	49	1455	1035	
	16			1930	1750	1820	40-Ø57	65	1455	1035	
1800	10	670	870	2115	1950	2020	44-Ø50	52	1656	1150	
	16			2130	1950	2020	44-Ø57	70	1656	1150	
2000	10	760	950	2325	2150	2230	48-Ø50	55	1842	1328	
	16			2345	2150	2230	48-Ø62	75	1842	1328	

# "H" and "H1" for reference only.

### Material for main parts

No.	Part Name	Material	No.	Part Name	Material
1	Cover	Q235	8	Disc	Ductile iron
2	Thrust ring	20#	9	Retainer	Q235
3	Body	Ductile iron	10	Packing	Graphite
4	Bushing	Self-lubricating	11	Gland	WCB
5	Body seat	SS304	12	Yoke	WCB
6	Disc seat	EPDM	13	Gear box	Ductile iron
7	Stem	2Cr13			

Henan Yuda Valve Manufacturing Co., Ltd.  
467500, Industrial zone in Ruzhou, Henan province.  
[www.hnydvalve.com](http://www.hnydvalve.com)

We reserve the right to modify the above information without notice.

(Oct. in 2021)